

Presence detector - Professional Line

# DualTech

COM1

EAN 4007841 007997



ultrasonic sensor  
360°



infrared sensor  
360°



max. Ø 6 m  
presence

2000w

max. 2000 W



IP20



ideal 2,5 - 3,5 m



indoor sensor

iQ

iQ-mode

TEACH

Teach mode



energy saving

## Function description

The best of both worlds. Combined in one detector. Ultrasonic presence detector DualTech, ideal for offices, conference rooms and class rooms. 36 sq.m. presence zone, ultrasonic technology provides reliable detection behind objects regardless of temperature, additional detection capability with PIR technology, electronic adjustment for ultrasonic reach, COM1 for switching light ON and OFF.

# DualTech

COM1

EAN 4007841 007997

## Technical specifications

|                          |   |
|--------------------------|---|
| Type                     | Presence detector   |
| Dimensions (L x W x H)   | 68 x 120 x 120 mm   |
| Mains power supply       | 220 – 240 V / 50 – 60 Hz  |
| Sensor Technology        | Ultrasonic  |
| Application, place       | Indoors   |
| Application, place, room | classroom, one-person office, open-plan office, conference room / meeting room, duty room, recreation room, Indoors |
| Installation site        | ceiling   |
| Installation             | Concealed wiring  |
| Ultrasonic technology    | 40 kHz  |
| Electronic scalability   | Yes   |
| Mechanical scalability   | No  |
| Mounting height          | 2,50 – 3,50 m   |
| Optimum mounting height  | 2,8 m   |
| Detection angle          | 360 °   |
| Sneak-by guard           | Yes   |
| Reach, radial            | Ultrasonic: Ultraschall: Ø 10 m (Ultraschall: 79 m <sup>2</sup> )   |
| Reach, tangential        | Ultrasonic: Ultraschall: Ø 10 m (Ultraschall: 79 m <sup>2</sup> )   |
| Reach, presence          | Ultrasonic: Ultraschall: Ø 6 m (Ultraschall: 28 m <sup>2</sup> )  |
| Sensor Technology 2      | passive infrared  |
| Reach, radial 2          | passive infrared: Passiv Infrarot: Ø 4 m (Passiv Infrarot: 13 m <sup>2</sup> )                                      |

|                            |   |
|----------------------------|---|
| Reach, tangential 2        | passive infrared: Passiv Infrarot: Ø 8 m (Passiv Infrarot: 50 m <sup>2</sup> )          |
| Reach, presence 2          | passive infrared: Passiv Infrarot: Ø 4 m (Passiv Infrarot: 13 m <sup>2</sup> )          |
| Twilight setting TEACH     | Yes   |
| Twilight setting           | 10 – 1000 lx  |
| Time setting               | 30 s – 30 Min.  |
| Constant-lighting control  | No  |
| Basic light level function | No  |
| Functions                  | Normal / test mode, Semi-/fully automatic, Pushbutton / switch mode, Manual ON / ON-OFF |
| Settings via               | Remote control, DIP switches, Potentiometers, Smart Remote                              |
| With remote control        | No  |
| Interconnection            | Yes   |
| Type of interconnection    | Master/slave, Master/master   |
| IP-rating                  | IP20  |
| Material                   | Plastic   |
| Ambient temperature        | -25 – 55 °C   |
| Colour                     | white   |
| Colour, RAL                | 9010  |
| Manufacturer's Warranty    | 5 years   |
| Version                    | COM1  |
| PU1, EAN                   | 4007841007997   |

## Accessories

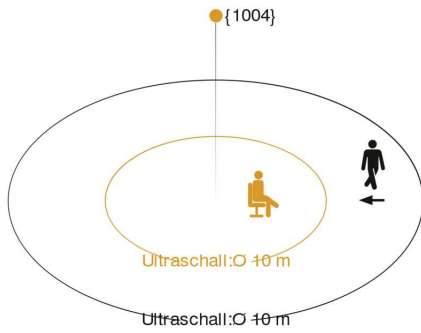
|                    |                             |
|--------------------|-----------------------------|
| EAN 4007841 009151 | Remote control Smart Remote |
| EAN 4007841 559410 | Service remote control RC8  |

# DualTech

COM1

EAN 4007841 007997

## Detection Zone

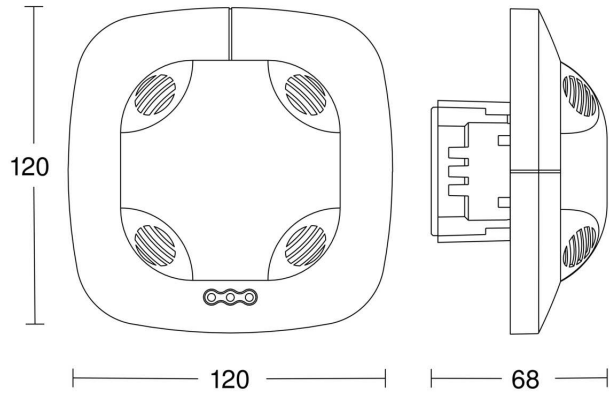


Mögliche Montagehöhe: 2,50 m – 3,50 m

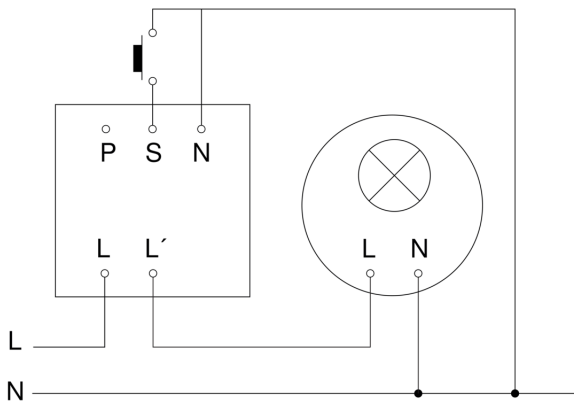
Orange: Präsenz und tangential

Schwarz: radial

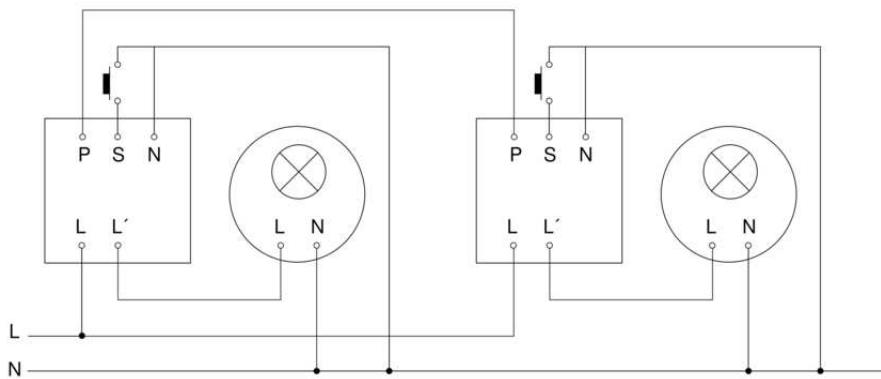
## Dimension Drawing



## Master circuit diagram



### Master/master interconnection circuit diagram



### Master/slave interconnection circuit diagram

